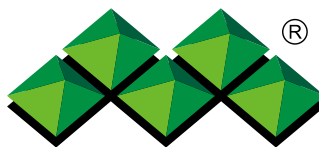




UltraEasy Fence Installation Guide

v20191125



NewTechWood

CONTENTS

Important Note	2 - 3
UltraEasy Fence Parts	4
UltraEasy Fence Installation	5 - 8

IMPORTANT:

Read All Sections Before You Start

For the most up to date information, please visit our website @ www.newtechwood.com

Prior to installing any composite product, it is recommended that you check with local building codes for any special requirements or restrictions. The diagrams and instructions outlined in this guide are for illustration purposes only and are not meant or implied to replace a licensed professional. Any construction or use of NewTechWood must be in accordance with all local zoning and/or building codes. The consumer assumes all risks and liability associated with the construction and use of this product.

Safety

When dealing with any type of construction project, it is necessary to wear appropriate safety equipment to avoid any risk of injuries. NewTechWood recommends but is not limited to the following safety equipment when handling, cutting, and installing NewTechWood: gloves, a respiratory protection, long sleeves, pants, and safety glasses.

Tools

Standard woodworking tools may be used. It is recommended that all blades have a carbide tip. Standard stainless steel screws are recommended.

Environment

A clean, smooth, flat, and strong surface is needed to install NewTechWood's products correctly. Please check with local building codes before ever installing any type of fencing. If installation does not occur immediately NewTechWood's products need to be put on a flat surface at all times. Never ever should it be put on a surface that is NOT flat.

Planning

Plan a layout for your fencing before starting it to ensure the best possible looking fence for your project. Building codes and zoning ordinances generally apply to permanent structures, meaning anything that is anchored to the ground or attached to the house. So nearly every kind of fencing requires permits and inspections from a local building department. We recommend drawing out a site plan of your proposed project that you intend to do to minimize errors and make your perfect fence.

Construction

NewTechWood UltraEasy fencing is NOT intended for use as columns, support posts, beams, joist stringers or other primary load-bearing members. NewTechWood must be supported by a codecompliant substructure. While NewTechWood products are great for retrofits NewTechWood's products CANNOT be installed on existing fence boards.

Static

Static can also be more prevalent in areas that are of higher altitude because the humidity is lower. For these areas, be careful of using conductive objects such as metal railing and chairs as static shocks might occur more often. A potential way to lower the amount of static shocks occurring is to apply Staticide(www.aclstaticide.com) on your deck or use anti-static mats before doorways. NewTechWood's

products have been tested against EN 1815 - Assessment of Static Electrical Propensity and have received values under the maximum standard of 2kV.

Ventilation

UltraEasy fencing needs to have at least one of the clips installed at the bottom of each aluminum post sleeve as well as a starting and ending aluminum trim to work properly.

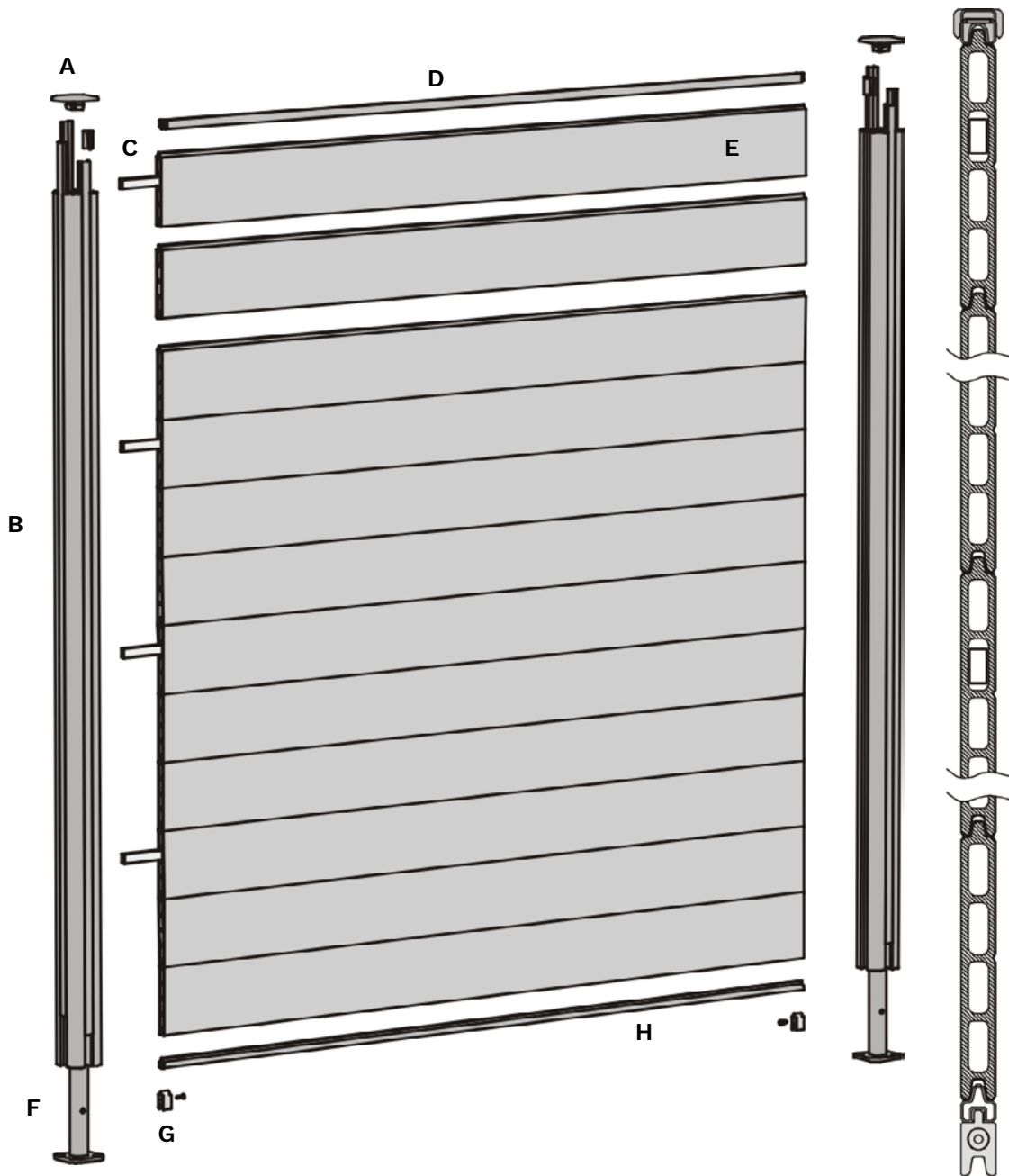
If one clip is not installed at the bottom of the post sleeve, there will be not sufficient enough air flow and could result in high wind speeds damaging the fence.

Heat and Fire

Excessive heat on the surface of NewTechWood products from external sources such as but not limited to fire or reflection of sunlight from energy efficient window products. Low-emissivity (Low-E) glass can potentially harm NewTechWood products. Low-E glass is designed to prevent passive heat gain within a structure and can cause unusual heat build-up on exterior surfaces. This extreme elevation of surface temperatures, which exceeds that of normal exposure, can possibly cause NewTechWood products to melt, sag, warp, discolor, increase expansion/contraction, and accelerate weathering.

Current or potential NewTechWood customers that have concerns about possible damage by Low-E glass should contact the manufacturer of the product which contains Low-E glass for a solution to reduce or eliminate the effects of reflected sunlight.

UltraEasy Fence Parts:



A - FN0223
(X2)



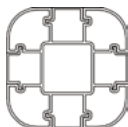
D - FN0217
(X1)



G - FN0101
(X2)



B - FN0213
(X2)



E - UH28
(X12)



H - FN0216
(X1)



C - ST-UH28
(X4)



F - FN0219
(X2)



Post Mount Installation: Concrete

- 1 Take out the concrete post mounts (F - FN0219) and put them at a distance of 1.8 meters apart from each other as shown in Diagram 1.

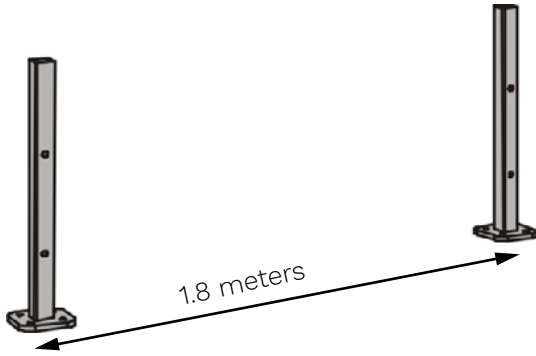


DIAGRAM 1

- 2 After lining up the post mounts (F - FN0219) in a straight line, you can now take the lag bolts with plastic anchors and screw the post into the concrete as shown in Diagram 2.

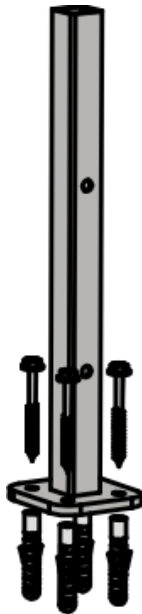


DIAGRAM 2

Post Sleeve Installation

- 1 Now that the post mounts (F - FN0219) are locked into the concrete, they can now be covered with the aluminum post sleeves (B - FN0213) as shown below in Diagram 3.



DIAGRAM 3

- 2 Ensure the post sleeves (B - FN0213) go all the way down and actually touch the top of the post mount as shown in Diagram 4.



DIAGRAM 4

Anchor Clip Installation

Next, the anchor clip (G - FN0101) will be installed into the very bottom of the aluminum post sleeve (B - FN0213) as shown in Diagram 5.

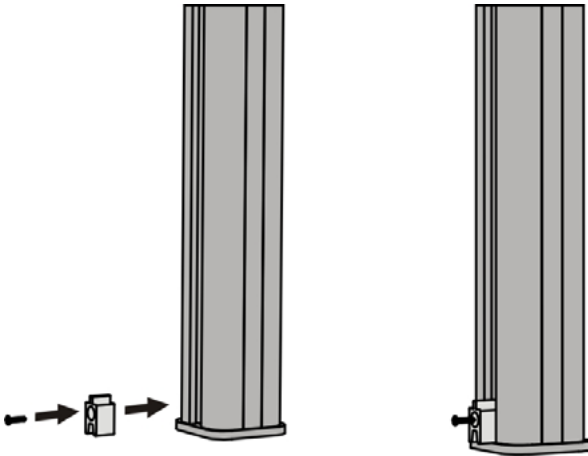


DIAGRAM 5

Starting Aluminum Trim Installation

Now, the starting aluminum trim (D - FN0217) can be put over the two anchor clips (G - FN0101) inside the aluminum post sleeve (B - FN0213) channels as shown below in Diagram 6.

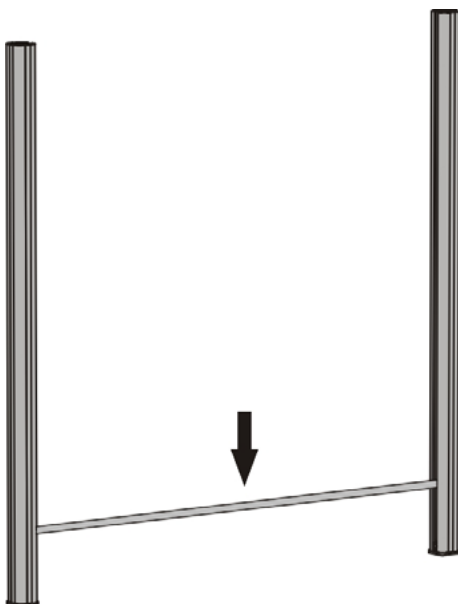


DIAGRAM 6

Fencing Board Installation

Note: Before stacking the fence boards (E - UH28) over the starting aluminum trim (D - FN0217) remember every third fence board needs to have the metal reinforcement put through the second hole from the top as shown in Diagram 7. This will ensure the fence does not warp outwards during hot temperatures.

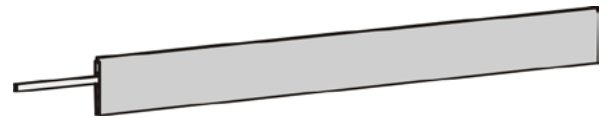


DIAGRAM 7

- 1 The fencing boards (E - UH28) can now be put over the starting aluminum trim (D - FN0217) by putting each board down the open channels of the aluminum post sleeves (B - FN0213) as shown in Diagram 8.

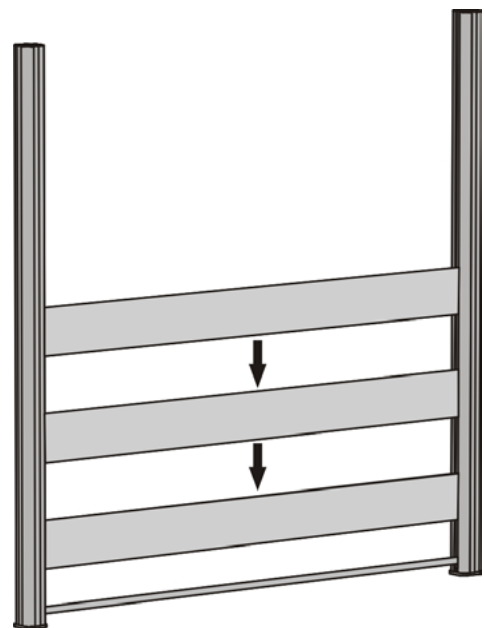


DIAGRAM 8

- 2 Continue until all fence boards (E - UH28) are installed as shown in Diagram 9.



DIAGRAM 9

Note: Every other third board should have a metal reinforcement through the second hole from the top of each fence profile as shown in Diagram 10. If there is no metal reinforcement the fence could be prone to warping in the horizontal direction.

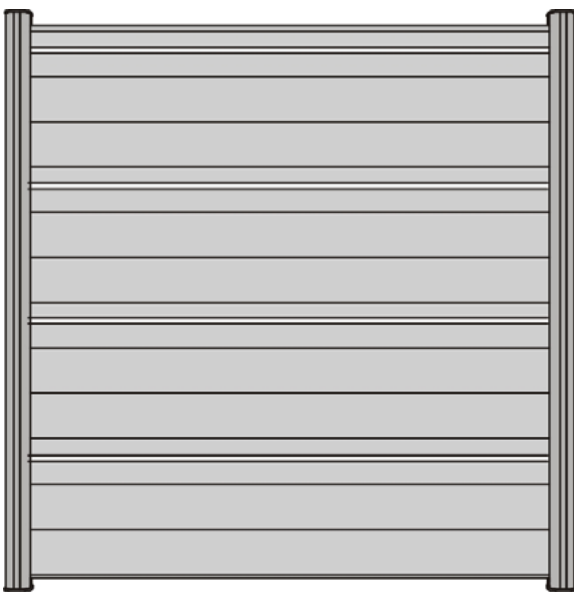


DIAGRAM 10

Ending Aluminum Trim Installation

Now the ending aluminum trim (H - FN0216) can be put over the last fence board (E - UH28) inside the aluminum post sleeve (B - FN0213) channels as shown below in Diagram 11, 12 and 13.

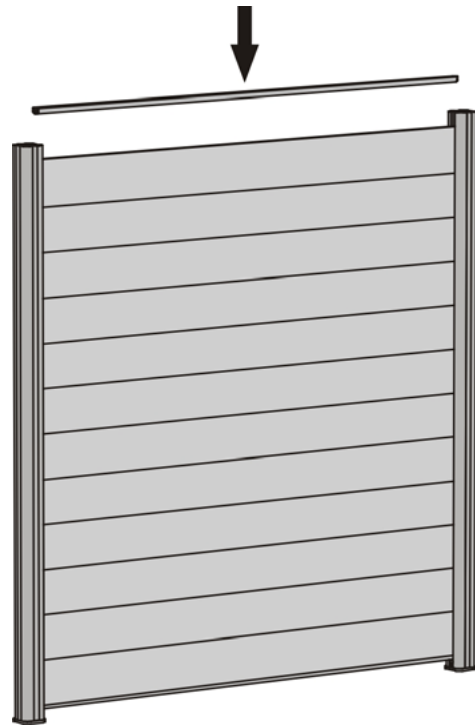


DIAGRAM 11

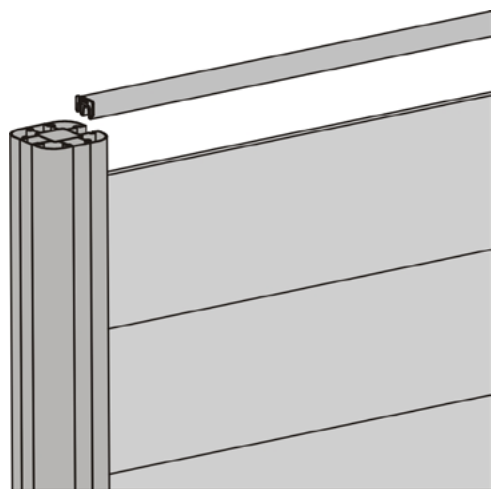


DIAGRAM 12

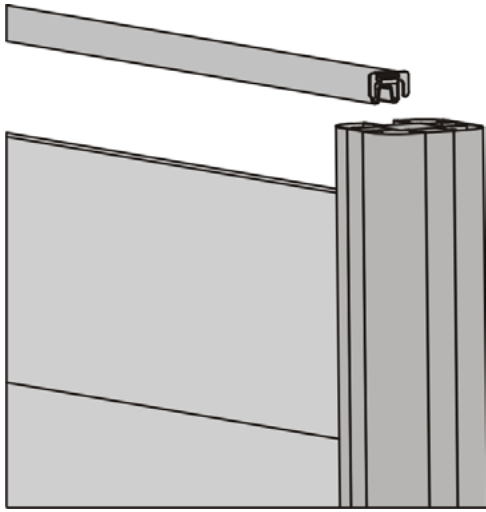


DIAGRAM 13

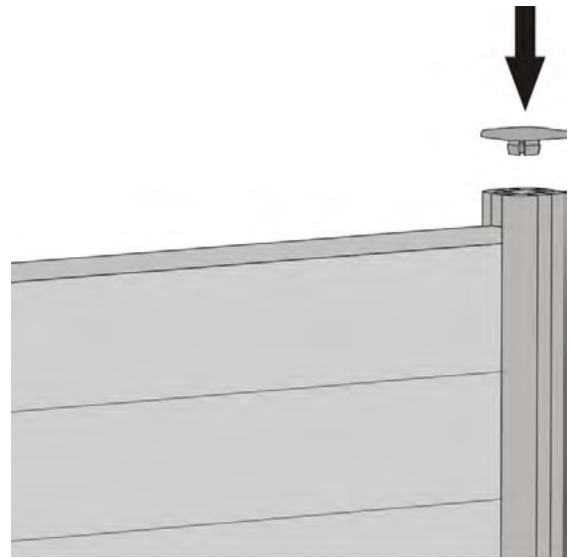


DIAGRAM 15

Installing the Post Cap

- 1 An extra piece of the post trim can be cut to fill up the void between the top of the ending aluminum trim (H - FN0216) and the post cap (A - FN0223) as shown below in Diagram 14.

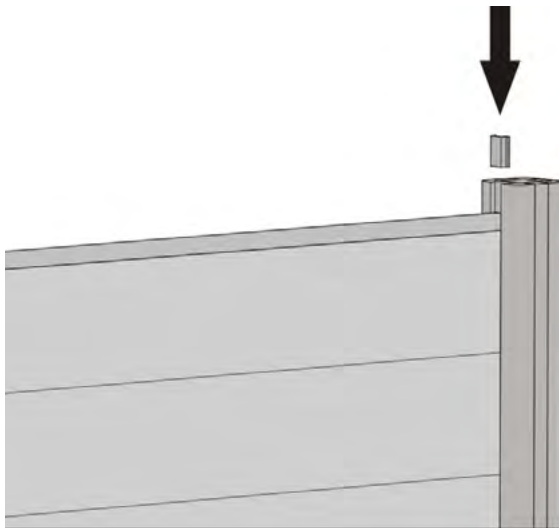


DIAGRAM 14

- 2 The post cap (A - FN0223) can now be placed on top of the post as shown in Diagram 15.

Completed Fence

The completed fence should look like Diagram 16.



DIAGRAM 16



UltraEasy Fence Installation Guide

v20191125

©2019 Huidong Meixin Plastic Lumber Products Manufacturing Co., Ltd.
NewTechWood® is a registered trademark of Huidong Meixin Plastic Lumber Products Manufacturing Co., Ltd. To obtain a copy of the most current version of this installation guide, visit us online at www.newtechwood.com.

